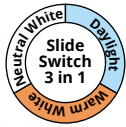


## LED DOWNLIGHT SPECTRE IP54



### KEY FEATURES

- CCT Switchable
- Lifetime 50,000 hours
- Integrated LED driver
- Very quick and easy installation
- Serial connector
- Possible through-wiring
- Excellent price-quality ratio
- Energy savings up to 50%
- Also applicable for humidity atmosphere

### APPLICATIONS



### SPECIFICATIONS

Item code	Description	W	lm	lm/W	Kelvin	CRI	Input current	Lifetime L80B10	Equivalent	Beam angle
4601687	LED Downlight Spectre FR IP54 13W 3000K-5700K 3-CCT Ø145mm Cutout Ø125-135mm	13	1,050-1,300	81-100	3,000/4,000/5,700	≥80	0.07A	50,000	1x26W	90°
4601694	LED Downlight Spectre FR IP54 18W 3000K-5700K 3-CCT Ø172mm Cutout Ø150-165mm	18	1,440-1,690	80-94	3,000/4,000/5,700	≥80	0.09A	50,000	2x18W	90°
4601700	LED Downlight Spectre FR IP54 18W 3000K-5700K 3-CCT Ø228mm Cutout Ø200-210mm	18	1,710-1,900	98-106	3,000/4,000/5,700	≥80	0.09A	50,000	2x18W	90°
4601717	LED Downlight Spectre FR IP54 25W 3000K-5700K 3-CCT Ø228mm Cutout Ø200-210mm	25	2,280-2,650	91-106	3,000/4,000/5,700	≥80	0.12A	50,000	2x26W	90°
4601731	LED Downlight Spectre SR IP54 13W 3000K-5700K 3-CCT Ø145 Cutout Ø125-135mm UGR<19	13	1,120-1,310	86-101	3,000/4,000/5,700	≥80	0.07A	50,000	1x26W	60°
4601748	LED Downlight Spectre SR IP54 18W 3000K-5700K 3-CCT Ø172 Cutout Ø150-165mm UGR<19	18	1,510-1,760	84-98	3,000/4,000/5,700	≥80	0.09A	50,000	2x18W	60°
4601755	LED Downlight Spectre SR IP54 18W 3000K-5700K 3-CCT Ø228 Cutout Ø200-210mm UGR<19	18	1,750-1,930	97-107	3,000/4,000/5,700	≥80	0.09A	50,000	2x18W	60°

# LED DOWNLIGHT SPECTRE IP54

## TECHNICAL DATA

Electrical data	
Voltage (V)	220-240
Frequency (Hz)	50/60
Power factor ( $\lambda$ )	$\geq 0.9$
Operating mode	Integrated LED Driver
Electrical connection	Max 3x1,5 mm <sup>2</sup> wire
Total harmonic distortion	$\leq 20\%$

Temperatures & operating conditions	
Ambient temperature	25°C
Operating temperature	-20 ~ +40°C
Storage temperature	-40 ~ +65°C

Colors & materials	
Color ( Housing)	White RAL9016
Material ( Housing)	PC
Material ( Diffuser)	PC

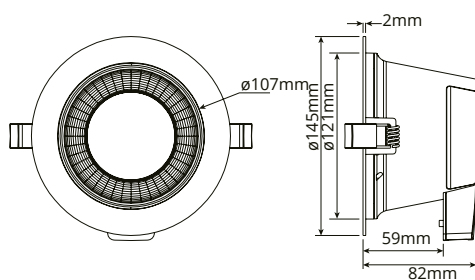
Certificates & standards	
Driver certificates	CE
Fixture certificates	CE
Ingress protection	IP54
Protection class	II
Protection class IK	IK06
Glow Wire Test ( IEC 695-2-1)	650°C
Photobiological safety group EN62778	RG0

Capabilities	
UGR	$\leq 22$ (FR) / $\leq 19$ (SR)
Dimmable	No
Type of connection	Push Terminal, 3-pole
LED Module replacable	No
Installation	CCT Switchable

## SPECIFICATIONS DRIVERS

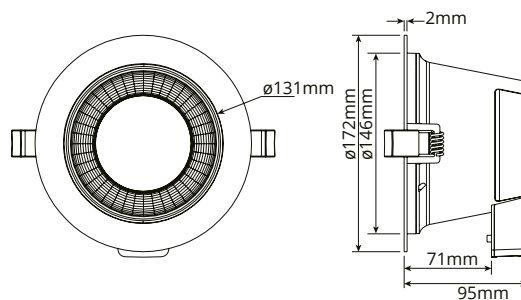
Item code	Description	Driver failure rate at 5,000h	Inrush current Ipeak	Inrush current Twidth	Max. No. of drivers on MCB Type B 10A	Max. No. of drivers on MCB Type B 16A	Max No.of drivers on MCB Type C 10A	Max. No. of drivers on MCB Type C 16A
4601687	LED Downlight Spectre FR IP54 13W 3000K-5700K 3-CCT Ø145mm Cutout Ø125-135mm	$\leq 1\%$	99.2A	12 $\mu$ s	30	48	50	59
4601694	LED Downlight Spectre FR IP54 18W 3000K-5700K 3-CCT Ø172mm Cutout Ø150-165mm	$\leq 1\%$	95.2A	3 $\mu$ s	32	50	53	61
4601700	LED Downlight Spectre FR IP54 18W 3000K-5700K 3-CCT Ø228mm Cutout Ø200-210mm	$\leq 1\%$	95.2A	3 $\mu$ s	32	50	53	61
4601717	LED Downlight Spectre FR IP54 25W 3000K-5700K 3-CCT Ø228mm Cutout Ø200-210mm	$\leq 1\%$	106A	16 $\mu$ s	28	45	47	55
4601731	LED Downlight Spectre SR IP54 13W 3000K-5700K 3-CCT Ø145 Cutout Ø125-135mm UGR<19	$\leq 1\%$	99.2A	12 $\mu$ s	30	48	50	59
4601748	LED Downlight Spectre SR IP54 18W 3000K-5700K 3-CCT Ø172 Cutout Ø150-165mm UGR<19	$\leq 1\%$	95.2A	3 $\mu$ s	32	50	53	61
4601755	LED Downlight Spectre SR IP54 18W 3000K-5700K 3-CCT Ø228 Cutout Ø200-210mm UGR<19	$\leq 1\%$	95.2A	3 $\mu$ s	32	50	53	61

## DIMENSIONS



Cutout  
Ø125-135mm

**4601687**  
**4601731**



Cutout  
Ø150-165mm

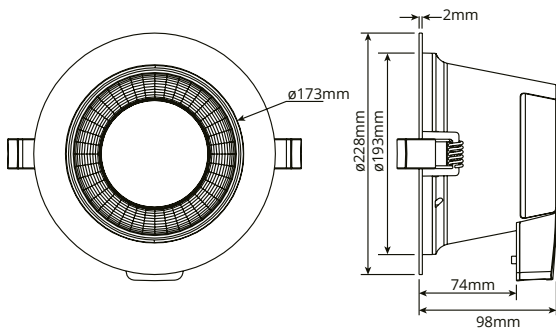
**4601694**  
**4601748**

## PRAGMALUX

All rights reserved. Pragmalux - PDL Lighting Group B.V. retains the right to modify product specifications without any prior notice or obligation and does not assume any liability for any consequences of using this document. Subject to errors and printing errors. Luminous flux tolerance: +/- 10%. Power consumption tolerance: +/- 10%.

Version: August 2019

Page 2/4

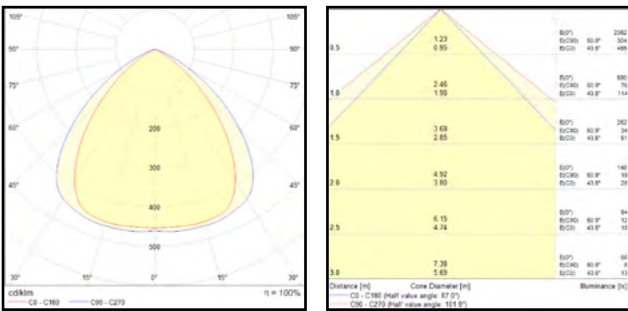


Cutout  
 $\varnothing 200\text{-}210\text{mm}$

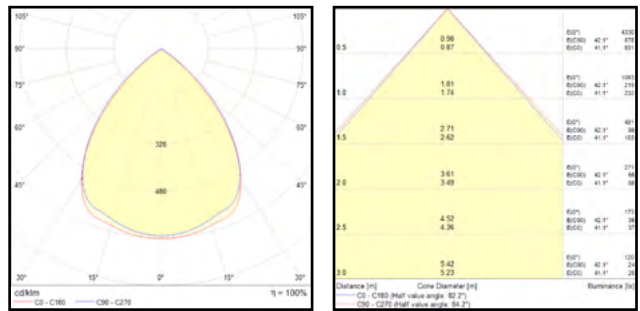
4601700  
4601717  
4601755

## PHOTOMETRIC SPECIFICATIONS

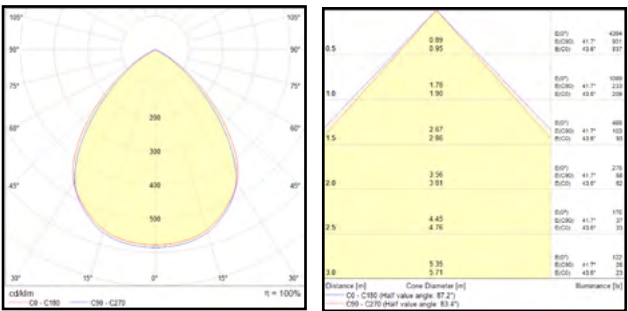
LED Downlight Spectre FR IP54 13W  $\varnothing 145$



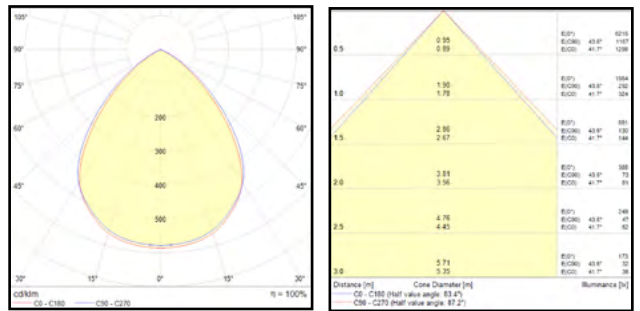
LED Downlight Spectre FR IP54 18W  $\varnothing 172$



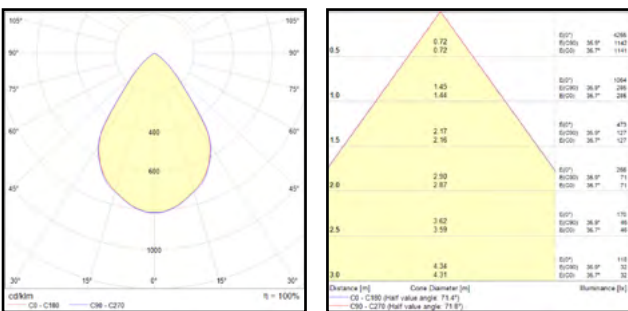
LED Downlight Spectre FR IP54 18W  $\varnothing 228$



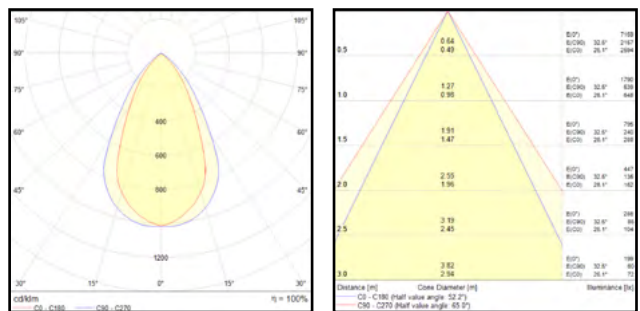
LED Downlight Spectre FR IP54 25W  $\varnothing 228$



LED Downlight Spectre SR IP54 13W  $\varnothing 145$



LED Downlight Spectre SR IP54 18W  $\varnothing 172$

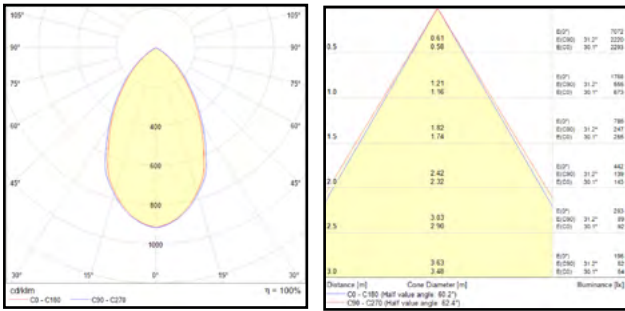


## PRAGMALUX

All rights reserved. Pragmalux - PDL Lighting Group B.V. retains the right to modify product specifications without any prior notice or obligation and does not assume any liability for any consequences of using this document. Subject to errors and printing errors. Luminous flux tolerance: +/- 10%. Power consumption tolerance: +/- 10%.

Version: August 2019

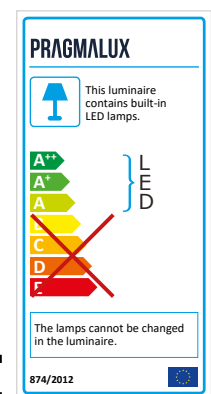
## LED Downlight Spectre SR IP54 18W Ø228



## PACKAGING INFORMATION

Item code	Description	Single box		Master carton		
		Dimensions(LxWxH) (mm)	Weight(kg)	Units per master carton	Dimensions(LxWxH) (mm)	Weight(kg)
4601687	LED Downlight Spectre FR IP54 13W 3000K-5700K 3-CCT Ø145mm Cutout Ø125-135mm	170x170x125	0.42	24	530x360x520	10
4601694	LED Downlight Spectre FR IP54 18W 3000K-5700K 3-CCT Ø172mm Cutout Ø150-165mm	195x195x140	0.5	12	410x410x440	6
4601700	LED Downlight Spectre FR IP54 18W 3000K-5700K 3-CCT Ø228mm Cutout Ø200-210mm	250x250x140	0.9	12	520x520x440	10.7
4601717	LED Downlight Spectre FR IP54 25W 3000K-5700K 3-CCT Ø228mm Cutout Ø200-210mm	250x250x140	0.9	12	520x520x440	10.7
4601731	LED Downlight Spectre SR IP54 13W 3000K-5700K 3-CCT Ø145 Cutout Ø125-135mm UGR<19	170x170x125	0.42	24	530x360x520	10
4601748	LED Downlight Spectre SR IP54 18W 3000K-5700K 3-CCT Ø172 Cutout Ø150-165mm UGR<19	195x195x140	0.5	12	410x410x440	6
4601755	LED Downlight Spectre SR IP54 18W 3000K-5700K 3-CCT Ø228 Cutout Ø200-210mm UGR<19	250x250x140	0.9	12	520x520x440	10.7

## APPLICATIONS



## PRAGMALUX

All rights reserved. Pragmalux - PDL Lighting Group B.V. retains the right to modify product specifications without any prior notice or obligation and does not assume any liability for any consequences of using this document. Subject to errors and printing errors. Luminous flux tolerance: +/- 10%. Power consumption tolerance: +/- 10%.

Version: August 2019